

XI582

OPERATOR TERMINAL

HONEYWELL EXCEL 5000 OPEN SYSTEM

SPECIFICATION DATA

GENERAL

The XI582 Operator Terminal is a member of the EXCEL 5000 family of controllers. It comes complete with a cabinet door mounting kit for installation in cabinet doors, but is also suitable for use as a desk-top device.

The XI582 is a bus-wide MMI and can be connected to the serial port of any Excel 50/100/500/600/800 controller and be used to display information about all of these controllers located throughout the system.

Because it draws its power from the controller to which it is connected, the XI582 does not require a dedicated power supply.



FEATURES

- The XI582 features an MMI with a backlit LCD screen capable of displaying a wide range of character sets: West European, East European, Turkish, Cyrillic, Japanese, Taiwanese, and Simplified Chinese.
- The XI582 is suitable for use as a desk-top device or for installation in cabinet doors.
- Bus-wide access to all Excel 50/100/500/600/800 controllers on the same bus (C-Bus or LONWORKS Bus).

SPECIFICATIONS

Backlit LED Display

The XI582 features a keypad (with eight function keys and four fast-access keys).

The XI582 also features an LCD display. The LCD display (four lines, 16 characters per line) is a dot matrix display (240 x 64 dots) with electroluminescent backlighting and an effective lifetime of 3,000 hours (actual active time). The backlighting is activated by key operation and thereafter remains active for 2 minutes. The contrast can be adjusted manually with a screwdriver via the potentiometer accessible through the back cover.

Mounting Options

- Front door mounted.
- Suitable for use as a desk-top device after attachment of the pedestals (included in delivery).

Connection

The XI582 can be connected via the following cables:

XI582 connected with	via cable
XCL8010A	XW882
XCL5010	XW582
XC5010C	XW582
XC5010B	XW564, or XW582+XW584
XL100C	XW582
XL100B	XW564, or XW582+XW584
XL40, XL50	XW582

Communication over the cable is via an RS232 interface, and is at a rate of 9600 baud.

Power Supply

Because it draws its power from the controller to which it is connected, the XI582 does not require a dedicated power supply.

Power Consumption

2 VA.

Environmental Ratings

Operating temperature: 0...50 °C
 Storage temperature: -20...+70 °C
 Relative humidity: 5...93% non-condensing
 Pollution degree: Class II

Protection Standards

IP54 (when front-door mounted with MMI in a cabinet conforming to IP54).

Order Numbers

order no.	character sets supported
XI582B-EU	West European, East European, Turkish, Simplified Chinese, Cyrillic
XI582B-JP	Japanese
XI582B-TW	Taiwanese language character set

Certifications

- CE.
- Meets FCC Part 15, Subpart J for Class A equipment.
- UL916.

DIMENSIONS

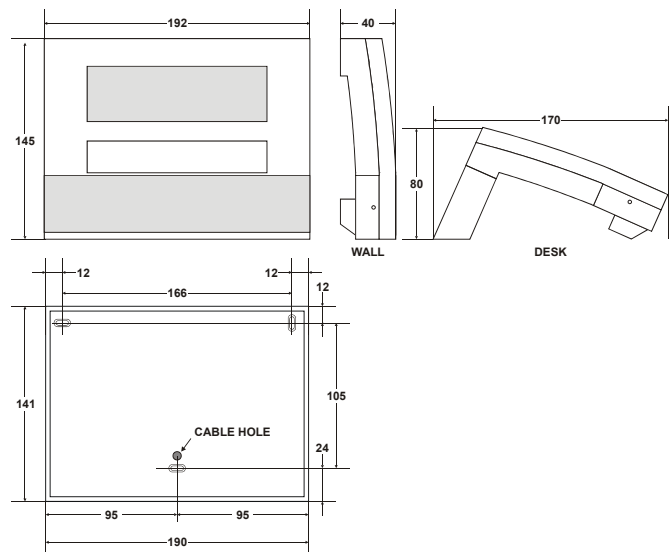


Fig. 1. Dimensions (in mm)

Honeywell

Manufactured for and on behalf of the Environmental and Combustion Controls Division of Honeywell Technologies Sàrl, Rolle, Z.A. La Pièce 16, Switzerland by its Authorized Representative:

Automation and Control Solutions

Honeywell GmbH
 Böblinger Strasse 17
 71101 Schönaich
 Germany
 Phone: (49) 7031 63701
 Fax: (49) 7031 637493
<http://ecc.emea.honeywell.com>
 Subject to change without notice. Printed in Germany

EN0B-0633GE51 R0309